

LED 地埋灯

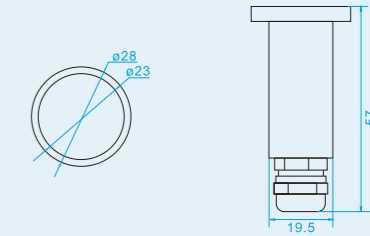
LED Inground light

Application

Application to Green Belt, Park landscape design, Garden pedestrian street Parking area, Square night view, Bridge and building outdoor decoration, residential areas, Road lighting.



Product Size

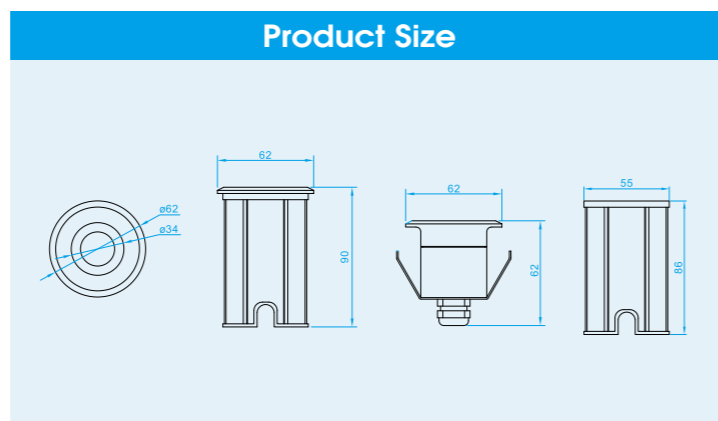


Specification

Model No.:	RS-UG1W(88231)
Front cover & Housing:	Aluminum body
Dimensions:	D28*H57mm
Tempered Glass:	2.5mm thickness
LED chip:	Cree
LED Q'ty:	1pc 1W LED
Cable gland:	Nickel plated brass PG7
Driver:	Constant current driver
Lens:	No lens
Beam Angle Options:	120°
Power Cable:	2*1.0mm ² VDE rubber cable
Protection Class:	IP65
Environment:	Dry
Mounting Hardware:	Embedded System
Net Weight:	0.15kgs with 1m cable
Lifetime:	>50000H

Order information

Item code	Color	Light source(w)	Line Way	Input Voltage (v)	Operating current (mA)	Consumption (w)	Luminous flux (lm)
88231.011.01	2700-3000K	1*1	V+/V-	DC12-24	83 / 41	1	90
88231.011.02	4000-4500K	1*1	V+/V-	DC12-24	83 / 41	1	95
88231.011.03	5000-5500K	1*1	V+/V-	DC12-24	83 / 41	1	100
88231.011.04	6000-6500K	1*1	V+/V-	DC12-24	83 / 41	1	100
88231.011.05	Red	1*1	V+/V-	DC12-24	83 / 41	1	25
88231.011.06	Green	1*1	V+/V-	DC12-24	83 / 41	1	60
88231.011.07	Blue	1*1	V+/V-	DC12-24	83 / 41	1	30
88231.011.08	Yellow	1*1	V+/V-	DC12-24	83 / 41	1	70

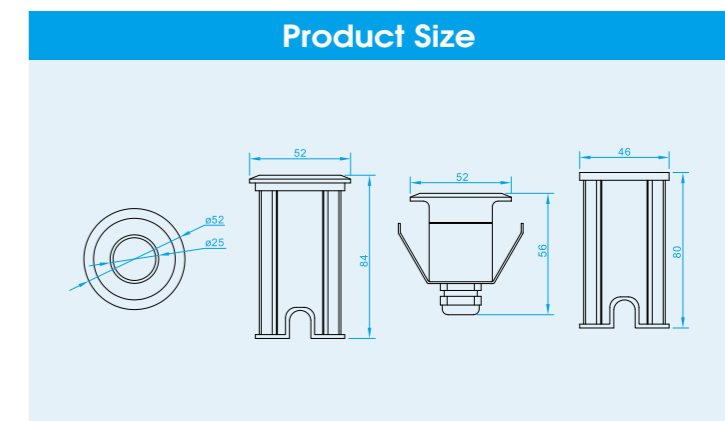


Specification

Model No.:	RS-UG3W-M(88202)
Front cover & Housing:	Stainless steel 304
Dimensions:	D62*H62mm
Tempered Glass:	6mm thickness
LED chip:	Cree
LED Q'ty:	1pc 3W LED
Cable gland:	Nickel plated brass M12
Driver:	Constant current driver
Lens:	Clear, Bead, Frosted
Beam Angle Options:	10° 30° 45° 60° 90°
Power Cable:	2*1.0mm ² VDE rubber cable
Protection Class:	IP67
Environment:	Dry
Mounting Hardware:	Embedded System
Net Weight:	0.45kgs with 1m cable
Lifetime:	>50000H

Order information

Item code	Color	Light source(w)	Line Way	Input Voltage (v)	Operating current (mA)	Consumption (w)	Luminous flux (lm)
88202.013.01	2700-3000K	1*3	V+/V-	DC12-24	250 / 125	3	140
88202.013.02	4000-4500K	1*3	V+/V-	DC12-24	250 / 125	3	148
88202.013.03	5000-5500K	1*3	V+/V-	DC12-24	250 / 125	3	155
88202.013.04	6000-6500K	1*3	V+/V-	DC12-24	250 / 125	3	155
88202.013.05	Red	1*3	V+/V-	DC12-24	166 / 83	2	35
88202.013.06	Green	1*3	V+/V-	DC12-24	250 / 125	3	90
88202.013.07	Blue	1*3	V+/V-	DC12-24	250 / 125	3	40
88202.013.08	Yellow	1*3	V+/V-	DC12-24	250 / 125	3	95



Specification

Model No.:	RS-UG1W316X(88204)
Front cover & Housing:	Stainless steel 316
Dimensions:	D52*H86mm
Tempered Glass:	6mm thickness
LED chip:	Epistar
LED Q'ty:	1pc 1W LED
Cable gland:	Nickel plated brass M12
Driver:	Constant current driver
Lens:	Clear, Bead, Frosted
Beam Angle Options:	10° 30° 45° 60° 90°
Power Cable:	2*1.0mm ² VDE rubber cable
Protection Class:	IP67
Environment:	Dry
Mounting Hardware:	Embedded System
Net Weight:	0.35kgs with 1m cable
Lifetime:	>50000H

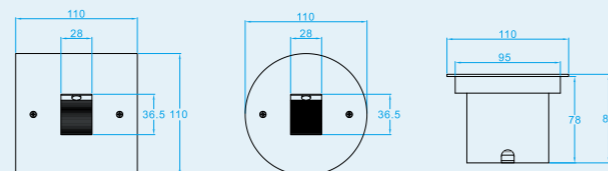
Order information

Item code	Color	Light source(w)	Line Way	Input Voltage (v)	Operating current (mA)	Consumption (w)	Luminous flux (lm)
88204.011.01	2700-3000K	1*1	V+/V-	DC12	83	1	90
88204.011.02	4000-4500K	1*1	V+/V-	DC12	83	1	95
88204.011.03	5000-5500K	1*1	V+/V-	DC12	83	1	100
88204.011.04	6000-6500K	1*1	V+/V-	DC12	83	1	100
88204.011.05	Red	1*1	V+/V-	DC12	83	1	25
88204.011.06	Green	1*1	V+/V-	DC12	83	1	60
88204.011.07	Blue	1*1	V+/V-	DC12	83	1	30
88204.011.08	Yellow	1*1	V+/V-	DC12	83	1	70





Product Size



Specification

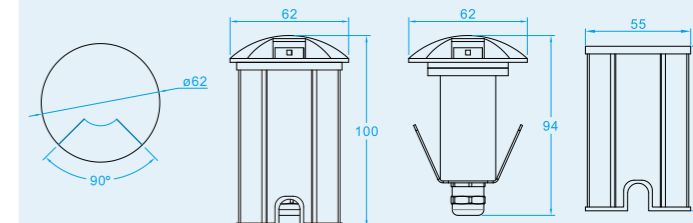
Model No.:	RS-WL1W-A(88267)
Front cover & Housing:	Stainless steel 304
Dimensions:	D110*H80mm / L110*W110*H80mm
Tempered Glass:	4mm thickness
LED chip:	Cree
LED Q'ty:	1pc 1W LED
Cable gland:	Nickel plated brass M12
Driver:	Constant current driver
Lens:	Clear, Bead, Frosted
Beam Angle Options:	90°
Power Cable:	2*1.0mm ² VDE rubber cable
Protection Class:	IP67
Environment:	Dry
Mounting Hardware:	Embedded System
Net Weight:	0.5kgs with 1m cable
Lifetime:	>50000H

Order information

Item code	Color	Light source(w)	Line Way	Input Voltage (v)	Operating current (mA)	Consumption (w)	Luminous flux (lm)
88267.011.01	2700-3000K	1*1	V+/V-	DC12, AC90-230	83 / 9 / 4.5	1	90
88267.011.02	4000-4500K	1*1	V+/V-	DC12, AC90-230	83 / 9 / 4.5	1	95
88267.011.03	5000-5500K	1*1	V+/V-	DC12, AC90-230	83 / 9 / 4.5	1	100
88267.011.04	6000-6500K	1*1	V+/V-	DC12, AC90-230	83 / 9 / 4.5	1	100
88267.011.05	Red	1*1	V+/V-	DC12, AC90-230	83 / 9 / 4.5	1	25
88267.011.06	Green	1*1	V+/V-	DC12, AC90-230	83 / 9 / 4.5	1	60
88267.011.07	Blue	1*1	V+/V-	DC12, AC90-230	83 / 9 / 4.5	1	30
88267.011.08	Yellow	1*1	V+/V-	DC12, AC90-230	83 / 9 / 4.5	1	70



Product Size



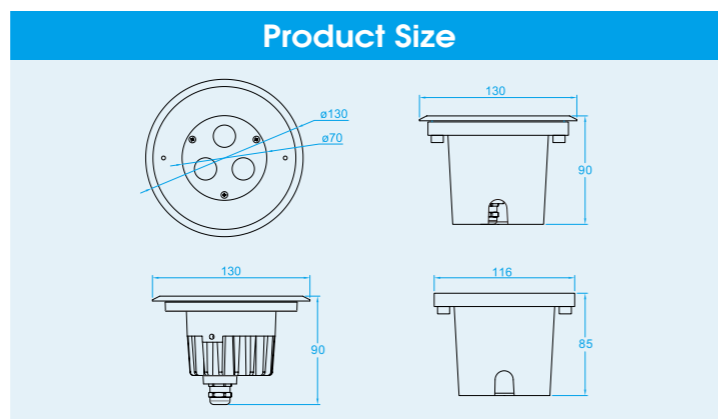
Specification

Model No.:	RS-UG1W316X-N(88256)
Front cover & Housing:	Stainless steel 316
Dimensions:	D62*H94mm
Tempered Glass:	PC cover inside
LED chip:	Cree
LED Q'ty:	1pc 1W LED
Cable gland:	Nickel plated brass PG7
Driver:	Constant current driver
Lens:	/
Beam Angle Options:	90°
Power Cable:	2*1.0mm ² / 3*0.75mm ² VDE rubber cable
Protection Class:	IP67
Environment:	Dry
Mounting Hardware:	Embedded System
Net Weight:	0.6kgs with 1m cable
Lifetime:	>50000H

Order information

Item code	Color	Light source(w)	Line Way	Input Voltage (v)	Operating current (mA)	Consumption (w)	Luminous flux (lm)
88256.011.01	2700-3000K	1*1	V+/V- or L/N/G	AC/DC12, AC90-230	83 / 4.5-9	1	90
88256.011.02	4000-4500K	1*1	V+/V- or L/N/G	AC/DC12, AC90-230	83 / 4.5-9	1	95
88256.011.03	5000-5500K	1*1	V+/V- or L/N/G	AC/DC12, AC90-230	83 / 4.5-9	1	100
88256.011.04	6000-6500K	1*1	V+/V- or L/N/G	AC/DC12, AC90-230	83 / 4.5-9	1	100
88256.011.05	Red	1*1	V+/V- or L/N/G	AC/DC12, AC90-230	83 / 4.5-9	1	25
88256.011.06	Green	1*1	V+/V- or L/N/G	AC/DC12, AC90-230	83 / 4.5-9	1	60
88256.011.07	Blue	1*1	V+/V- or L/N/G	AC/DC12, AC90-230	83 / 4.5-9	1	30
88256.011.08	Yellow	1*1	V+/V- or L/N/G	AC/DC12, AC90-230	83 / 4.5-9	1	70



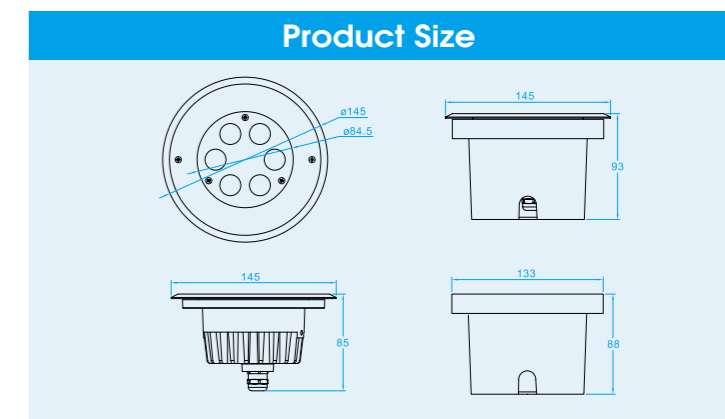


Specification

Model No.:	RS-UG3W-PM(88228)
Front cover & Housing:	304 Stainless steel+Aluminum body+Plastic installation box
Dimensions:	D130*H90mm
Tempered Glass:	8mm thickness
LED chip:	Cree / Epistar
LED Q'ty:	3pcs 1W LED
Cable gland:	Nickel plated brass PG9
Driver:	Constant current driver
Lens:	Clear, Bead, Frosted
Beam Angle Options:	10° 30° 45° 60° 90°
Power Cable:	2*1.0mm ² / 3*0.75mm ² / 4*0.75mm ² / 2*1.0+3*0.5mm ² VDE rubber cable
Protection Class:	IP67
Environment:	Dry
Mounting Hardware:	Embedded System
Net Weight:	1kgs with 1m cable
Lifetime:	>50000H

Order information

Item code	Color	Light source(w)	Line Way	Input Voltage (v)	Operating current (mA)	Consumption (w)	Luminous flux (lm)
88228.031.01	2700-3000K	3*1	V+/V- or L/N/G	AC/DC12-24, AC90-230	250 / 125 / 13-17	3	270
88228.031.02	4000-4500K	3*1	V+/V- or L/N/G	AC/DC12-24, AC90-230	250 / 125 / 13-17	3	285
88228.031.03	5000-5500K	3*1	V+/V- or L/N/G	AC/DC12-24, AC90-230	250 / 125 / 13-17	3	300
88228.031.04	6000-6500K	3*1	V+/V- or L/N/G	AC/DC12-24, AC90-230	250 / 125 / 13-17	3	300
88228.031.05	Red	3*1	V+/V- or L/N/G	AC/DC12-24, AC90-230	250 / 125 / 13-17	3	75
88228.031.06	Green	3*1	V+/V- or L/N/G	AC/DC12-24, AC90-230	250 / 125 / 13-17	3	180
88228.031.07	Blue	3*1	V+/V- or L/N/G	AC/DC12-24, AC90-230	250 / 125 / 13-17	3	90
88228.031.08	Yellow	3*1	V+/V- or L/N/G	AC/DC12-24, AC90-230	250 / 125 / 13-17	3	210
88228.031.09	RGB-DMX512 (3 channel)	3*1	V+/V- /D+/D-/GND	AC/DC12-24	R: 83 / 41 G: 83 / 41 B: 83 / 41	R: 1 G: 1 B: 1	R: 25 G: 60 B: 30
88228.031.10	Auto changing color	3*1	V+/V-	AC12-24	R: 83 / 41 G: 83 / 41 B: 83 / 41	R: 1 G: 1 B: 1	R: 25 G: 60 B: 30
88228.031.12	RGBV+ (build-in CC driver)	3*1	R/G/B/V+	DC12-24	R: 83 / 41 G: 83 / 41 B: 83 / 41	R: 1 G: 1 B: 1	R: 25 G: 60 B: 30



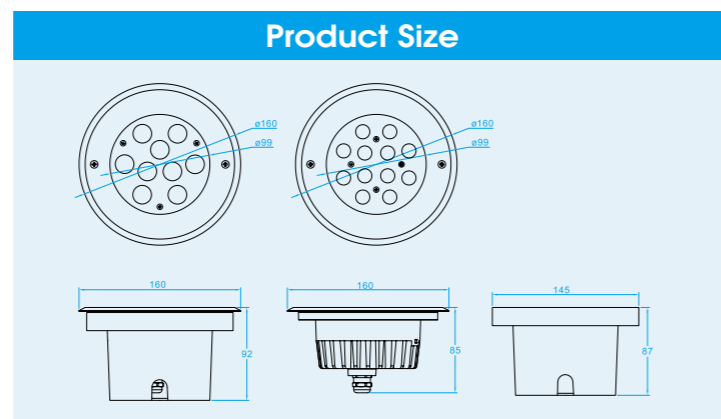
Specification

Model No.:	RS-UG6W-PM(88229)
Front cover & Housing:	304 Stainless steel+Aluminum body+Plastic installation box
Dimensions:	D145*H93mm
Tempered Glass:	8mm thickness
LED chip:	Cree / Epistar
LED Q'ty:	6pcs 1W LED
Cable gland:	Nickel plated brass PG9
Driver:	Constant current driver
Lens:	Clear, Bead, Frosted
Beam Angle Options:	10° 30° 45° 60° 90°
Power Cable:	2*1.0mm ² / 3*0.75mm ² / 4*0.75mm ² / 2*1.0+3*0.5mm ² VDE rubber cable
Protection Class:	IP67
Environment:	Dry
Mounting Hardware:	Embedded System
Net Weight:	1.2kgs with 1m cable
Lifetime:	>50000H

Order information

Item code	Color	Light source(w)	Line Way	Input Voltage (v)	Operating current (mA)	Consumption (w)	Luminous flux (lm)
88229.061.01	2700-3000K	6*1	V+/V- or L/N/G	AC/DC12-24, AC90-230	500 / 250 / 27-54	6	540
88229.061.02	4000-4500K	6*1	V+/V- or L/N/G	AC/DC12-24, AC90-230	500 / 250 / 27-54	6	570
88229.061.03	5000-5500K	6*1	V+/V- or L/N/G	AC/DC12-24, AC90-230	500 / 250 / 27-54	6	600
88229.061.04	6000-6500K	6*1	V+/V- or L/N/G	AC/DC12-24, AC90-230	500 / 250 / 27-54	6	600
88229.061.05	Red	6*1	V+/V- or L/N/G	AC/DC12-24, AC90-230	500 / 250 / 27-54	6	150
88229.061.06	Green	6*1	V+/V- or L/N/G	AC/DC12-24, AC90-230	500 / 250 / 27-54	6	360
88229.061.07	Blue	6*1	V+/V- or L/N/G	AC/DC12-24, AC90-230	500 / 250 / 27-54	6	180
88229.061.08	Yellow	6*1	V+/V- or L/N/G	AC/DC12-24, AC90-230	500 / 250 / 27-54	6	420
88229.061.09	RGB-DMX512 (3 channel)	6*1	V+/V- /D+/D-/GND	AC/DC12-24	R: 166 / 83 G: 166 / 83 B: 166 / 83	R: 2 G: 2 B: 2	R: 50 G: 120 B: 60
88229.061.10	Auto changing color	6*1	V+/V-	AC12-24	R: 166 / 83 G: 166 / 83 B: 166 / 83	R: 2 G: 2 B: 2	R: 50 G: 120 B: 60
88229.061.12	RGBV+ (build-in CC driver)	6*1	R/G/B/V+	DC12-24	R: 166 / 83 G: 166 / 83 B: 166 / 83	R: 2 G: 2 B: 2	R: 50 G: 120 B: 60



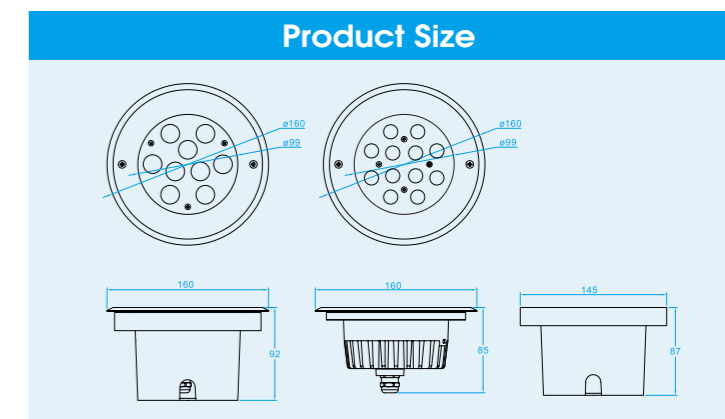


Specification

Model No.:	RS-UG9W-PM(88230)
Front cover & Housing:	304 Stainless steel+Aluminum body+Plastic installation box
Dimensions:	D160*H92mm
Tempered Glass:	8mm thickness
LED chip:	Cree / Epistar
LED Q'ty:	9pcs 1W LED
Cable gland:	Nickel plated brass PG9
Driver:	Constant current driver
Lens:	Clear, Bead, Frosted
Beam Angle Options:	10° 30° 45° 60° 90°
Power Cable:	2*1.0mm ² / 3*0.75mm ² / 4*0.75mm ² / 2*1.0+3*0.5mm ² VDE rubber cable
Protection Class:	IP67
Environment:	Dry
Mounting Hardware:	Embedded System
Net Weight:	1.4kgs with 1m cable
Lifetime:	>50000H

Order information

Item code	Color	Light source(w)	Line Way	Input Voltage (v)	Operating current (mA)	Consumption (w)	Luminous flux (lm)
88230.091.01	2700-3000K	9*1	V+/V- or L/N/G	AC/DC12-24, AC90-230	750 / 375 / 40-48	9	810
88230.091.02	4000-4500K	9*1	V+/V- or L/N/G	AC/DC12-24, AC90-230	750 / 375 / 40-48	9	855
88230.091.03	5000-5500K	9*1	V+/V- or L/N/G	AC/DC12-24, AC90-230	750 / 375 / 40-48	9	900
88230.091.04	6000-6500K	9*1	V+/V- or L/N/G	AC/DC12-24, AC90-230	750 / 375 / 40-48	9	900
88230.091.05	Red	9*1	V+/V- or L/N/G	AC/DC12-24, AC90-230	750 / 375 / 40-48	9	225
88230.091.06	Green	9*1	V+/V- or L/N/G	AC/DC12-24, AC90-230	750 / 375 / 40-48	9	540
88230.091.07	Blue	9*1	V+/V- or L/N/G	AC/DC12-24, AC90-230	750 / 375 / 40-48	9	270
88230.091.08	Yellow	9*1	V+/V- or L/N/G	AC/DC12-24, AC90-230	750 / 375 / 40-48	9	630
88230.091.09	RGB-DMX512 (3 channel)	9*1	V+/V- /D+/D-/GND	AC/DC12-24	R: 250 / 125 B: 250 / 125 G: 250 / 125	R: 3 B: 3 G: 3	R: 75 B: 90 G: 180
88230.091.10	Auto changing color	9*1	V+/V-	AC12-24	R: 250 / 125 B: 250 / 125 G: 250 / 125	R: 3 B: 3 G: 3	R: 75 B: 90 G: 180
88230.091.12	RGBV+ (build-in CC driver)	9*1	R/G/B/V+	DC12-24	R: 250 / 125 B: 250 / 125 G: 250 / 125	R: 3 B: 3 G: 3	R: 75 B: 90 G: 180



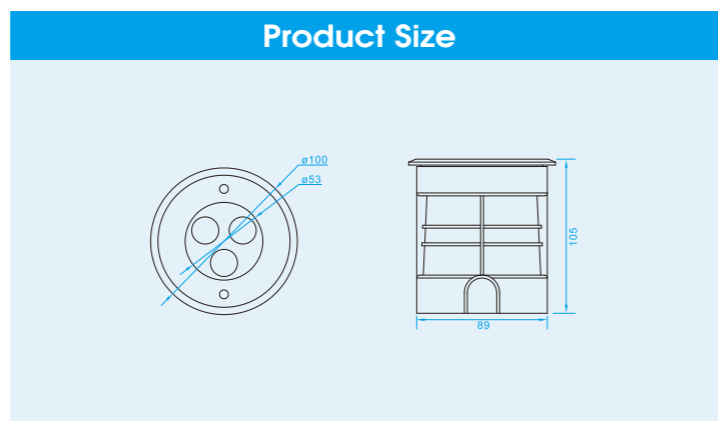
Specification

Model No.:	RS-UG12W-PM(88230)
Front cover & Housing:	304 Stainless steel+Aluminum body+Plastic installation box
Dimensions:	D160*H92mm
Tempered Glass:	8mm thickness
LED chip:	Cree
LED Q'ty:	12pcs 1W LED
Cable gland:	Nickel plated brass PG9
Driver:	Constant current driver
Lens:	Clear, Bead, Frosted
Beam Angle Options:	10° 30° 45° 60° 90°
Power Cable:	2*1.0mm ² / 3*0.75mm ² / 4*0.75mm ² / 2*1.0+3*0.5mm ² VDE rubber cable
Protection Class:	IP67
Environment:	Dry
Mounting Hardware:	Embedded System
Net Weight:	1.4kgs with 1m cable
Lifetime:	>50000H

Order information

Item code	Color	Light source(w)	Line Way	Input Voltage (v)	Operating current (mA)	Consumption (w)	Luminous flux (lm)
88230.121.01	2700-3000K	12*1	V+/V- or L/N/G	DC24, AC90-230	1000 / 54-109	12	1080
88230.121.02	4000-4500K	12*1	V+/V- or L/N/G	DC24, AC90-230	1000 / 54-109	12	1140
88230.121.03	5000-5500K	12*1	V+/V- or L/N/G	DC24, AC90-230	1000 / 54-109	12	1200
88230.121.04	6000-6500K	12*1	V+/V- or L/N/G	DC24, AC90-230	1000 / 54-109	12	1200
88230.121.05	Red	12*1	V+/V- or L/N/G	DC24, AC90-230	1000 / 54-109	12	300
88230.121.06	Green	12*1	V+/V- or L/N/G	DC24, AC90-230	1000 / 54-109	12	720
88230.121.07	Blue	12*1	V+/V- or L/N/G	DC24, AC90-230	1000 / 54-109	12	360
88230.121.08	Yellow	12*1	V+/V- or L/N/G	DC24, AC90-230	1000 / 54-109	12	840
88230.121.09	RGB-DMX512 (3 channel)	12*1	V+/V- /D+/D-/GND	AC/DC12-24	R: 333 / 166 B: 333 / 166 G: 333 / 166	R: 4 B: 4 G: 4	R: 100 B: 120 G: 240
88230.121.10	Auto changing color	12*1	V+/V-	AC12-24	R: 333 / 166 B: 333 / 166 G: 333 / 166	R: 4 B: 4 G: 4	R: 100 B: 120 G: 240
88230.121.12	RGBV+ (build-in CC driver)	12*1	R/G/B/V+	DC12-24	R: 333 / 166 B: 333 / 166 G: 333 / 166	R: 4 B: 4 G: 4	R: 100 B: 120 G: 240



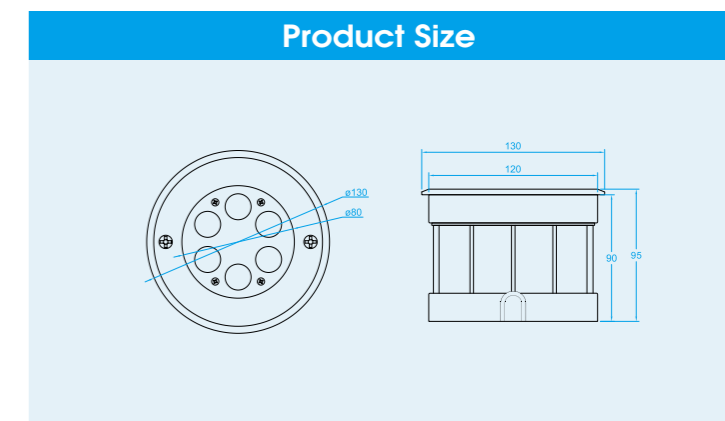


Specification

Model No.:	RS-UG63X-T(88261)
Front cover & Housing:	304 Stainless steel+Aluminum body+Plastic installation box
Dimensions:	D100*H105mm
Tempered Glass:	8mm thickness
LED chip:	Epistar
LED Q'ty:	3pcs 1W LED
Cable gland:	Nickel plated brass PG9
Driver:	Constant current driver
Lens:	Clear, Bead, Frosted
Beam Angle Options:	10° 30° 45° 60° 90°
Power Cable:	2*1.0mm ² / 3*0.75mm ² / 4*0.75mm ² VDE rubber cable
Protection Class:	IP67
Environment:	Dry
Mounting Hardware:	Embedded System
Net Weight:	1kgs with 1m cable
Lifetime:	>50000H

Order information

Item code	Color	Light source(w)	Line Way	Input Voltage (v)	Operating current (mA)	Consumption (w)	Luminous flux (lm)
88261.031.01	2700-3000K	3*1	V+/V- or L/N/G	AC/DC12-24, AC90-230	250 / 125 / 13-27	3	270
88261.031.02	4000-4500K	3*1	V+/V- or L/N/G	AC/DC12-24, AC90-230	250 / 125 / 13-27	3	285
88261.031.03	5000-5500K	3*1	V+/V- or L/N/G	AC/DC12-24, AC90-230	250 / 125 / 13-27	3	300
88261.031.04	6000-6500K	3*1	V+/V- or L/N/G	AC/DC12-24, AC90-230	250 / 125 / 13-27	3	300
88261.031.05	Red	3*1	V+/V- or L/N/G	AC/DC12-24, AC90-230	250 / 125 / 13-27	3	75
88261.031.06	Green	3*1	V+/V- or L/N/G	AC/DC12-24, AC90-230	250 / 125 / 13-27	3	180
88261.031.07	Blue	3*1	V+/V- or L/N/G	AC/DC12-24, AC90-230	250 / 125 / 13-27	3	90
88261.031.08	Yellow	3*1	V+/V- or L/N/G	AC/DC12-24, AC90-230	250 / 125 / 13-27	3	210
88261.031.12	RGBV+ (build-in CC driver)	3*1	R/G/B/V+	DC12	R: 83 G: 83 B: 83	R: 1 G: 1 B: 1	R: 25 G: 60 B: 30



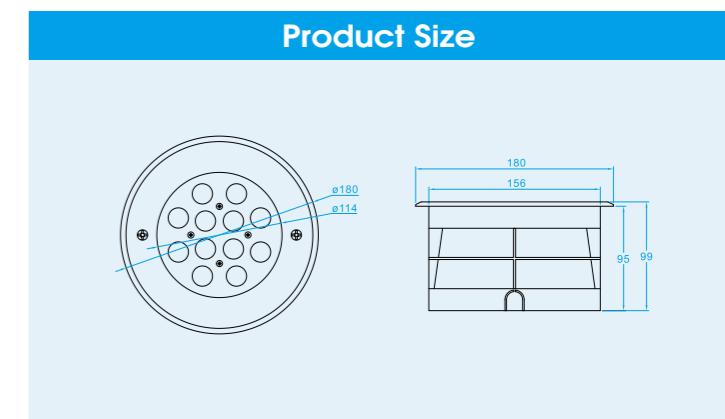
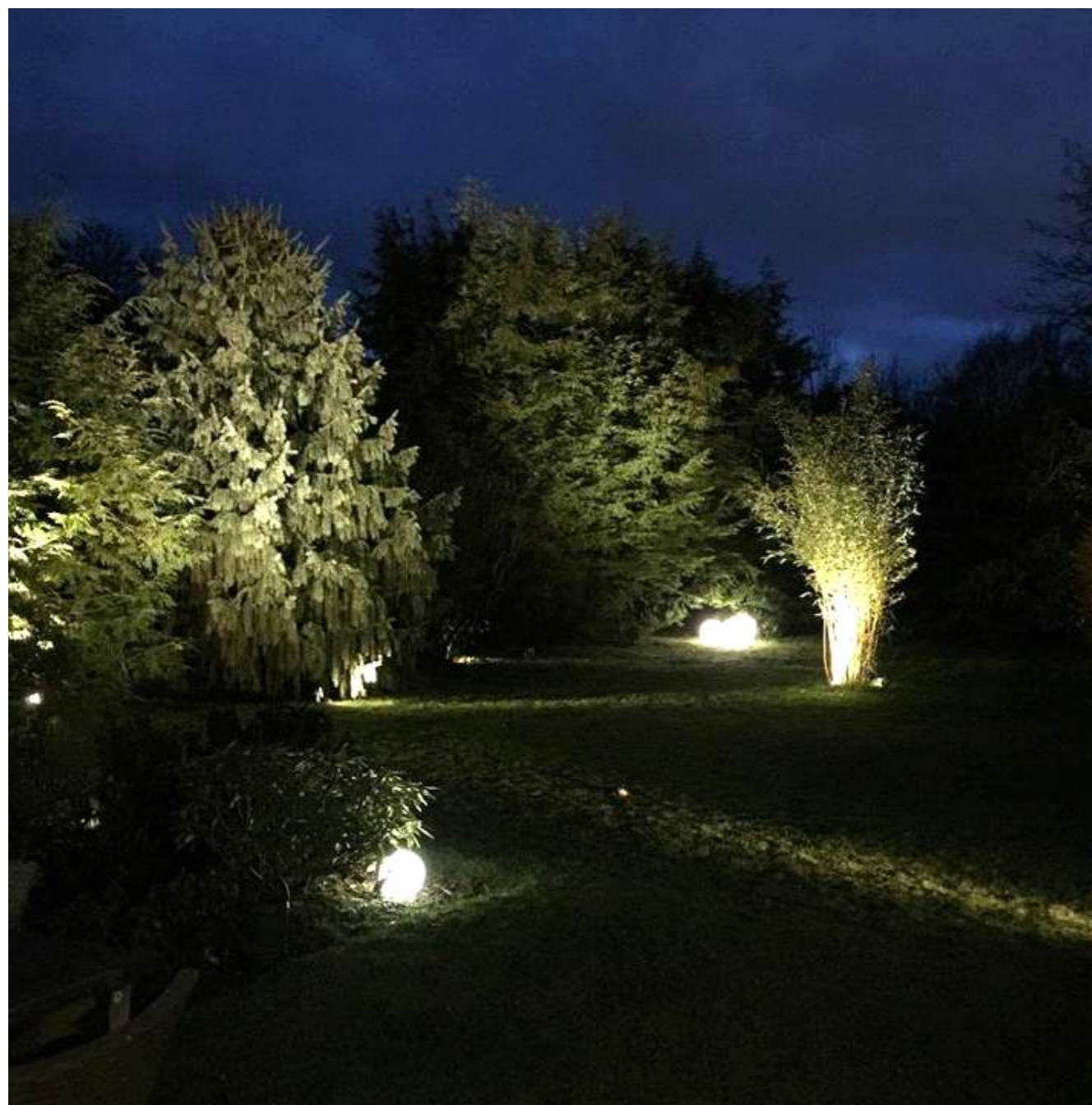
Specification

Model No.:	RS-UG6X-T(88262)
Front cover & Housing:	304 Stainless steel+Aluminum body+Plastic installation box
Dimensions:	D130*H95mm
Tempered Glass:	8mm thickness
LED chip:	Epistar
LED Q'ty:	6pcs 1W LED
Cable gland:	Nickel plated brass PG9
Driver:	Constant current driver
Lens:	Clear, Bead, Frosted
Beam Angle Options:	10° 30° 45° 60° 90°
Power Cable:	2*1.0mm ² / 3*0.75mm ² / 4*0.75mm ² / 2*1.0+3*0.5mm ² VDE rubber cable
Protection Class:	IP67
Environment:	Dry
Mounting Hardware:	Embedded System
Net Weight:	1.2kgs with 1m cable
Lifetime:	>50000H

Order information

Item code	Color	Light source(w)	Line Way	Input Voltage (v)	Operating current (mA)	Consumption (w)	Luminous flux (lm)
88262.061.01	2700-3000K	6*1	V+/V- or L/N/G	AC/DC12-24, AC90-230	500 / 250 / 27-54	6	540
88262.061.02	4000-4500K	6*1	V+/V- or L/N/G	AC/DC12-24, AC90-230	500 / 250 / 27-54	6	570
88262.061.03	5000-5500K	6*1	V+/V- or L/N/G	AC/DC12-24, AC90-230	500 / 250 / 27-54	6	600
88262.061.04	6000-6500K	6*1	V+/V- or L/N/G	AC/DC12-24, AC90-230	500 / 250 / 27-54	6	600
88262.061.05	Red	6*1	V+/V- or L/N/G	AC/DC12-24, AC90-230	500 / 250 / 27-54	6	150
88262.061.06	Green	6*1	V+/V- or L/N/G	AC/DC12-24, AC90-230	500 / 250 / 27-54	6	360
88262.061.07	Blue	6*1	V+/V- or L/N/G	AC/DC12-24, AC90-230	500 / 250 / 27-54	6	180
88262.061.08	Yellow	6*1	V+/V- or L/N/G	AC/DC12-24, AC90-230	500 / 250 / 27-54	6	420
88262.061.12	RGBV+ (build-in CC driver)	6*1	R/G/B/V+	DC12	R: 166 G: 166 B: 166	R: 2 G: 2 B: 2	R: 50 G: 120 B: 60



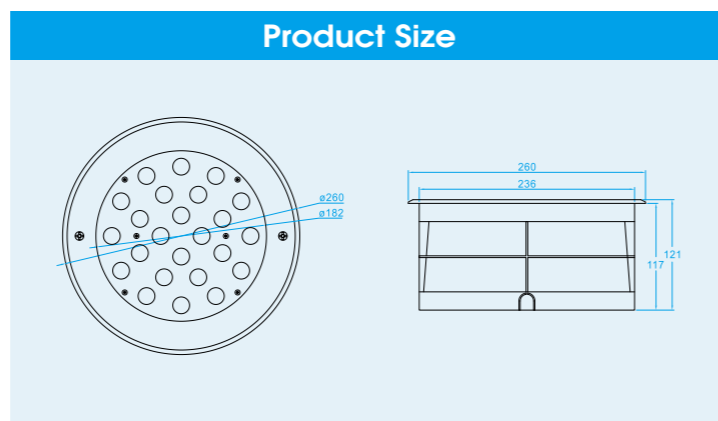


Specification

Model No.:	RS-UG12X-T(88263)
Front cover & Housing:	304 Stainless steel+Aluminum body+Plastic installation box
Dimensions:	D180*H99mm
Tempered Glass:	8mm thickness
LED chip:	Epistar
LED Q'ty:	12pcs 1W LED
Cable gland:	Nickel plated brass PG9
Driver:	Constant current driver
Lens:	Clear, Bead, Frosted
Beam Angle Options:	10° 30° 45° 60° 90°
Power Cable:	2*1.0mm ² / 3*0.75mm ² / 4*0.75mm ² / 2*1.0+3*0.5mm ² VDE rubber cable
Protection Class:	IP67
Environment:	Dry
Mounting Hardware:	Embedded System
Net Weight:	2.2kgs with 1m cable
Lifetime:	>50000H

Order information

Item code	Color	Light source(w)	Line Way	Input Voltage (v)	Operating current (mA)	Consumption (w)	Luminous flux (lm)
88263.121.01	2700-3000K	12*1	V+/V- or L/N/G	DC24, AC90-230	1000 / 54-109	12	1080
88263.121.02	4000-4500K	12*1	V+/V- or L/N/G	DC24, AC90-230	1000 / 54-109	12	1140
88263.121.03	5000-5500K	12*1	V+/V- or L/N/G	DC24, AC90-230	1000 / 54-109	12	1200
88263.121.04	6000-6500K	12*1	V+/V- or L/N/G	DC24, AC90-230	1000 / 54-109	12	1200
88263.121.05	Red	12*1	V+/V- or L/N/G	DC24, AC90-230	1000 / 54-109	12	300
88263.121.06	Green	12*1	V+/V- or L/N/G	DC24, AC90-230	1000 / 54-109	12	720
88263.121.07	Blue	12*1	V+/V- or L/N/G	DC24, AC90-230	1000 / 54-109	12	360
88263.121.08	Yellow	12*1	V+/V- or L/N/G	DC24, AC90-230	1000 / 54-109	12	840
88263.121.09	RGB-DMX512 (3 channel)	12*1	V+/V-/D+/D-/GND	DC24	R: 166 G: 166 B: 166	R: 4 G: 4 B: 4	R: 100 G: 240 B: 120
88263.121.10	Auto changing color	12*1	V+/V-	AC24	R: 166 G: 166 B: 166	R: 4 G: 4 B: 4	R: 100 G: 240 B: 120
88263.121.12	RGBV+ (build-in CC driver)	12*1	R/G/B/V+	DC24	R: 166 G: 166 B: 166	R: 4 G: 4 B: 4	R: 100 G: 240 B: 120

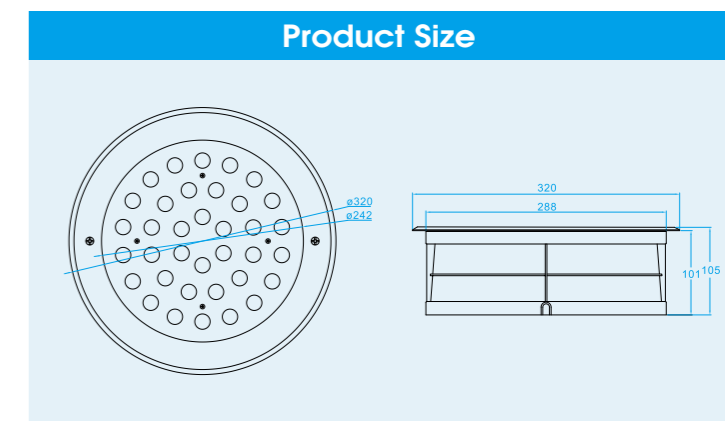


Specification

Model No.:	RS-UG24X-T(88264)
Front cover & Housing:	304 Stainless steel+Aluminum body+Plastic installation box
Dimensions:	D260*H121mm
Tempered Glass:	8mm thickness
LED chip:	Epistar
LED Q'ty:	24pcs 1W LED
Cable gland:	Nickel plated brass PG9
Driver:	Constant current driver
Lens:	Clear, Bead, Frosted
Beam Angle Options:	10° 30° 45° 60° 90°
Power Cable:	2*1.0mm ² / 3*0.75mm ² / 4*0.75mm ² / 2*1.0+3*0.5mm ² VDE rubber cable
Protection Class:	IP67
Environment:	Dry
Mounting Hardware:	Embedded System
Net Weight:	3.5kgs with 1m cable
Lifetime:	>50000H

Order information

Item code	Color	Light source(w)	Line Way	Input Voltage (v)	Operating current (mA)	Consumption (w)	Luminous flux (lm)
88264.241.01	2700-3000K	24*1	V+/V- or L/N/G	DC24, AC90-230	1000 / 109-218	24	2160
88264.241.02	4000-4500K	24*1	V+/V- or L/N/G	DC24, AC90-230	1000 / 109-218	24	2280
88264.241.03	5000-5500K	24*1	V+/V- or L/N/G	DC24, AC90-230	1000 / 109-218	24	2400
88264.241.04	6000-6500K	24*1	V+/V- or L/N/G	DC24, AC90-230	1000 / 109-218	24	2400
88264.241.05	Red	24*1	V+/V- or L/N/G	DC24, AC90-230	1000 / 109-218	24	600
88264.241.06	Green	24*1	V+/V- or L/N/G	DC24, AC90-230	1000 / 109-218	24	1440
88264.241.07	Blue	24*1	V+/V- or L/N/G	DC24, AC90-230	1000 / 109-218	24	720
88264.241.08	Yellow	24*1	V+/V- or L/N/G	DC24, AC90-230	1000 / 109-218	24	1680
88264.241.09	RGB-DMX512 (3 channel)	24*1	V+/V- /D+/D-/GND	DC24	R: 333 G: 333 B: 333	R: 8 G: 8 B: 8	R: 200 G: 480 B: 240
88264.241.10	Auto changing color	24*1	V+/V-	AC24	R: 333 G: 333 B: 333	R: 8 G: 8 B: 8	R: 200 G: 480 B: 240
88264.241.12	RGBV+ (build-in CC driver)	24*1	R/G/B/V+	DC24	R: 333 G: 333 B: 333	R: 8 G: 8 B: 8	R: 200 G: 480 B: 240



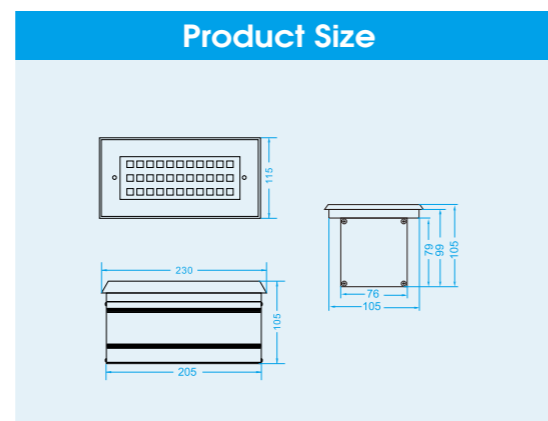
Specification

Model No.:	RS-UG36X-T(88265)
Front cover & Housing:	304 Stainless steel+Aluminum body+Plastic installation box
Dimensions:	D320*H105mm
Tempered Glass:	8mm thickness
LED chip:	Epistar
LED Q'ty:	36pcs 1W LED
Cable gland:	Nickel plated brass PG9
Driver:	Constant current driver
Lens:	Clear, Bead, Frosted
Beam Angle Options:	10° 30° 45° 60° 90°
Power Cable:	2*1.0mm ² / 3*0.75mm ² / 4*0.75mm ² / 2*1.0+3*0.5mm ² VDE rubber cable
Protection Class:	IP67
Environment:	Dry
Mounting Hardware:	Embedded System
Net Weight:	5.5kgs with 1m cable
Lifetime:	>50000H

Order information

Item code	Color	Light source(w)	Line Way	Input Voltage (v)	Operating current (mA)	Consumption (w)	Luminous flux (lm)
88265.361.01	2700-3000K	36*1	V+/V- or L/N/G	DC24, AC90-230	1500 / 163-327	36	3240
88265.361.02	4000-4500K	36*1	V+/V- or L/N/G	DC24, AC90-230	1500 / 163-327	36	3420
88265.361.03	5000-5500K	36*1	V+/V- or L/N/G	DC24, AC90-230	1500 / 163-327	36	3600
88265.361.04	6000-6500K	36*1	V+/V- or L/N/G	DC24, AC90-230	1500 / 163-327	36	3600
88265.361.05	Red	36*1	V+/V- or L/N/G	DC24, AC90-230	1500 / 163-327	36	900
88265.361.06	Green	36*1	V+/V- or L/N/G	DC24, AC90-230	1500 / 163-327	36	2160
88265.361.07	Blue	36*1	V+/V- or L/N/G	DC24, AC90-230	1500 / 163-327	36	1080
88265.361.08	Yellow	36*1	V+/V- or L/N/G	DC24, AC90-230	1500 / 163-327	36	2520
88265.361.09	RGB-DMX512 (3 channel)	36*1	V+/V- /D+/D-/GND	DC24	R: 500 G: 500 B: 500	R: 12 G: 12 B: 12	R: 300 G: 720 B: 360
88265.361.10	Auto changing color	36*1	V+/V-	AC24	R: 500 G: 500 B: 500	R: 12 G: 12 B: 12	R: 300 G: 720 B: 360
88265.361.12	RGBV+ (build-in CC driver)	36*1	R/G/B/V+	DC24	R: 500 G: 500 B: 500	R: 12 G: 12 B: 12	R: 300 G: 720 B: 360



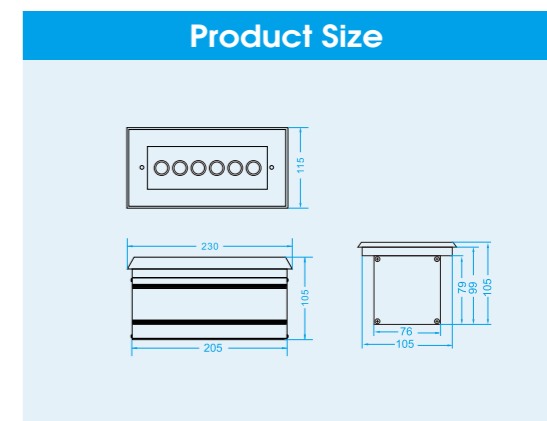


Specification

Model No.:	RS-UG6X-LS(88325)
Front cover & Housing:	304Stainless steel+Aluminum alloy installation box
Dimensions:	L230*W115*H105mm
Tempered Glass:	8mm thickness
LED chip:	SMD 5050 Epistar
LED Q'ty:	36pcs*0.2W
Cable gland:	Nickel plated brass PG9
Driver:	Constant current driver
Lens:	Clear, Bead, Frosted
Beam Angle Options:	120°
Power Cable:	2*1.0mm ² / 4*0.75mm ² / 2*1.0+3*0.5mm ² VDE rubber cable
Protection Class:	IP68
Environment:	Dry / Submerged
Mounting Hardware:	Embedded System
Net Weight:	2.5kgs with 1m cable
Lifetime:	>50000H

Order information

Item code	Color	Light source(w)	Line Way	Input Voltage (v)	Operating current (mA)	Consumption (w)	Luminous flux (lm)
88325.036.01	2700-3000K	36*0.2	V+/V-	DC12-24	500 / 250	6	480
88325.036.02	4000-4500K	36*0.2	V+/V-	DC12-24	500 / 250	6	510
88325.036.03	5000-5500K	36*0.2	V+/V-	DC12-24	500 / 250	6	540
88325.036.04	6000-6500K	36*0.2	V+/V-	DC12-24	500 / 250	6	570
88325.036.05	Red	36*0.2	V+/V-	DC12-24	500 / 250	6	120
88325.036.06	Green	36*0.2	V+/V-	DC12-24	500 / 250	6	240
88325.036.07	Blue	36*0.2	V+/V-	DC12-24	500 / 250	6	150
88325.036.08	Yellow	36*0.2	V+/V-	DC12-24	500 / 250	6	420
88325.036.09	RGB-DMX512 (3 channel)	36*0.2 3in1	V+/V- /D+/D-/GND	DC12-24	R: 166 / 83 G: 166 / 83	R: 2 B: 2	R: 40 G: 80 B: 50
88325.036.10	Auto changing color	36*0.2 3in1	V+/V-	AC12-24	R: 166 / 83 G: 166 / 83	R: 2 B: 2	R: 40 G: 80 B: 50
88325.036.12	RGBV+ (build-in CC driver)	36*0.2 3in1	R/G/B/V+	DC12-24	R: 166 / 83 G: 166 / 83	R: 2 B: 2	R: 40 G: 80 B: 50



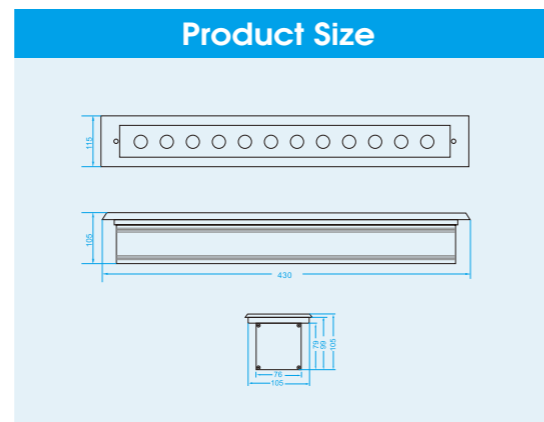
Specification

Model No.:	RS-UG6X-L(88325)
Front cover & Housing:	304Stainless steel+Aluminum alloy installation box
Dimensions:	L230*W115*H105mm
Tempered Glass:	8mm thickness
LED chip:	Epistar
LED Q'ty:	6pcs 1W LED
Cable gland:	Nickel plated brass PG9
Driver:	Constant current driver
Lens:	Clear, Bead, Frosted
Beam Angle Options:	10° 30° 45° 60° 90°
Power Cable:	2*1.0mm ² / 3*0.75mm ² / 4*0.75mm ² / 2*1.0+3*0.5mm ² VDE rubber cable
Protection Class:	IP68
Environment:	Dry / Submerged
Mounting Hardware:	Embedded System
Net Weight:	2.5kgs with 1m cable
Lifetime:	>50000H

Order information

Item code	Color	Light source(w)	Line Way	Input Voltage (v)	Operating current (mA)	Consumption (w)	Luminous flux (lm)
88325.061.01	2700-3000K	6*1	V+/V- or L/N/G	DC12-24, AC90-230	500 / 250 / 27-54	6	540
88325.061.02	4000-4500K	6*1	V+/V- or L/N/G	DC12-24, AC90-230	500 / 250 / 27-54	6	570
88325.061.03	5000-5500K	6*1	V+/V- or L/N/G	DC12-24, AC90-230	500 / 250 / 27-54	6	600
88325.061.04	6000-6500K	6*1	V+/V- or L/N/G	DC12-24, AC90-230	500 / 250 / 27-54	6	600
88325.061.05	Red	6*1	V+/V- or L/N/G	DC12-24, AC90-230	500 / 250 / 27-54	6	150
88325.061.06	Green	6*1	V+/V- or L/N/G	DC12-24, AC90-230	500 / 250 / 27-54	6	360
88325.061.07	Blue	6*1	V+/V- or L/N/G	DC12-24, AC90-230	500 / 250 / 27-54	6	180
88325.061.08	Yellow	6*1	V+/V- or L/N/G	DC12-24, AC90-230	500 / 250 / 27-54	6	420
88325.061.09	RGB-DMX512 (3 channel)	6*1	V+/V- /D+/D-/GND	DC12-24	R: 166 / 83 G: 166 / 83	R: 2 B: 2	R: 50 G: 120 B: 60
88325.061.10	Auto changing color	6*1	V+/V-	AC12-24	R: 166 / 83 G: 166 / 83	R: 2 B: 2	R: 50 G: 120 B: 60
88325.061.12	RGBV+ (build-in CC driver)	6*1	R/G/B/V+	DC12-24	R: 166 / 83 G: 166 / 83	R: 2 B: 2	R: 50 G: 120 B: 60



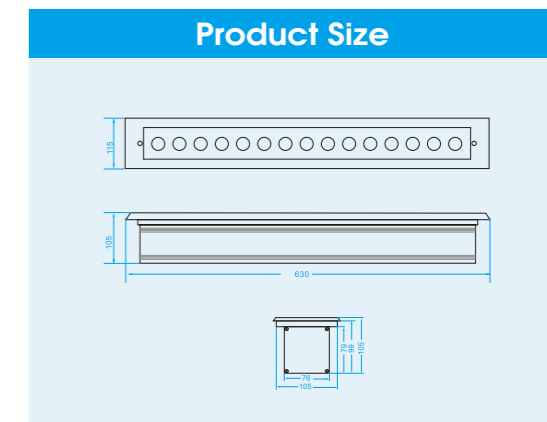


Specification

Model No.:	RS-UG12X-L(88338)
Front cover & Housing:	304Stainless steel+Aluminum alloy installation box
Dimensions:	L430*W115*H105mm
Tempered Glass:	8mm thickness
LED chip:	Epistar
LED Q'ty:	12pcs 1W LED
Cable gland:	Nickel plated brass PG9
Driver:	Constant current driver
Lens:	Clear, Bead, Frosted
Beam Angle Options:	10° 30° 45° 60° 90°
Power Cable:	2*1.0mm ² / 3*0.75mm ² / 4*0.75mm ² / 2*1.0+3*0.5mm ² VDE rubber cable
Protection Class:	IP68
Environment:	Dry / Submerged
Mounting Hardware:	Embedded System
Net Weight:	5.3kgs with 1m cable
Lifetime:	>50000H

Order information

Item code	Color	Light source(w)	Line Way	Input Voltage (v)	Operating current (mA)	Consumption (w)	Luminous flux (lm)
88338.121.01	2700-3000K	12*1	V+/V- or L/N/G	DC24, AC90-230	1000 / 54-109	12	1080
88338.121.02	4000-4500K	12*1	V+/V- or L/N/G	DC24, AC90-230	1000 / 54-109	12	1140
88338.121.03	5000-5500K	12*1	V+/V- or L/N/G	DC24, AC90-230	1000 / 54-109	12	1200
88338.121.04	6000-6500K	12*1	V+/V- or L/N/G	DC24, AC90-230	1000 / 54-109	12	1200
88338.121.05	Red	12*1	V+/V- or L/N/G	DC24, AC90-230	1000 / 54-109	12	300
88338.121.06	Green	12*1	V+/V- or L/N/G	DC24, AC90-230	1000 / 54-109	12	720
88338.121.07	Blue	12*1	V+/V- or L/N/G	DC24, AC90-230	1000 / 54-109	12	360
88338.121.08	Yellow	12*1	V+/V- or L/N/G	DC24, AC90-230	1000 / 54-109	12	840
88338.121.09	RGB-DMX512 (3 channel)	12*1	V+/V- /D+/D-/GND	DC24	R: 166 G: 166 B: 166	R: 4 G: 4 B: 4	R: 100 G: 240 B: 120
88338.121.10	Auto changing color	12*1	V+/V-	AC24	R: 166 G: 166 B: 166	R: 4 G: 4 B: 4	R: 100 G: 240 B: 120
88338.121.12	RGBV+ (build-in CC driver)	12*1	R/G/B/V+	DC24	R: 166 G: 166 B: 166	R: 4 G: 4 B: 4	R: 100 G: 240 B: 120



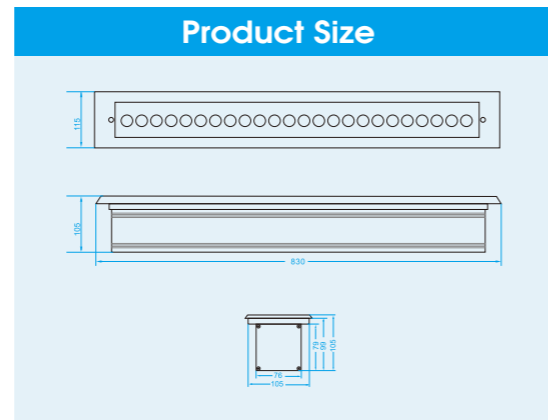
Specification

Model No.:	RS-UG15X-L(88339)
Front cover & Housing:	304Stainless steel+Aluminum alloy installation box
Dimensions:	L630*W115*H105mm
Tempered Glass:	8mm thickness
LED chip:	Epistar
LED Q'ty:	15pcs 1W LED
Cable gland:	Nickel plated brass PG9
Driver:	Constant current driver
Lens:	Clear, Bead, Frosted
Beam Angle Options:	10° 30° 45° 60° 90°
Power Cable:	2*1.0mm ² / 3*0.75mm ² / 4*0.75mm ² / 2*1.0+3*0.5mm ² VDE rubber cable
Protection Class:	IP68
Environment:	Dry / Submerged
Mounting Hardware:	Embedded System
Net Weight:	7.8kgs with 1m cable
Lifetime:	>50000H

Order information

Item code	Color	Light source(w)	Line Way	Input Voltage (v)	Operating current (mA)	Consumption (w)	Luminous flux (lm)
88339.151.01	2700-3000K	15*1	V+/V- or L/N/G	DC24, AC90-230	625 / 68-136	15	1350
88339.151.02	4000-4500K	15*1	V+/V- or L/N/G	DC24, AC90-230	625 / 68-136	15	1425
88339.151.03	5000-5500K	15*1	V+/V- or L/N/G	DC24, AC90-230	625 / 68-136	15	1500
88339.151.04	6000-6500K	15*1	V+/V- or L/N/G	DC24, AC90-230	625 / 68-136	15	1500
88339.151.05	Red	15*1	V+/V- or L/N/G	DC24, AC90-230	625 / 68-136	15	375
88339.151.06	Green	15*1	V+/V- or L/N/G	DC24, AC90-230	625 / 68-136	15	900
88339.151.07	Blue	15*1	V+/V- or L/N/G	DC24, AC90-230	625 / 68-136	15	450
88339.151.08	Yellow	15*1	V+/V- or L/N/G	DC24, AC90-230	625 / 68-136	15	1050
88339.151.09	RGB-DMX512 (3 channel)	15*1	V+/V- /D+/D-/GND	DC24	R: 208 G: 208 B: 208	R: 5 G: 5 B: 5	R: 125 G: 300 B: 150
88339.151.10	Auto changing color	15*1	V+/V-	AC24	R: 208 G: 208 B: 208	R: 5 G: 5 B: 5	R: 125 G: 300 B: 150
88339.151.12	RGBV+ (build-in CC driver)	15*1	R/G/B/V+	DC24	R: 208 G: 208 B: 208	R: 5 G: 5 B: 5	R: 125 G: 300 B: 150



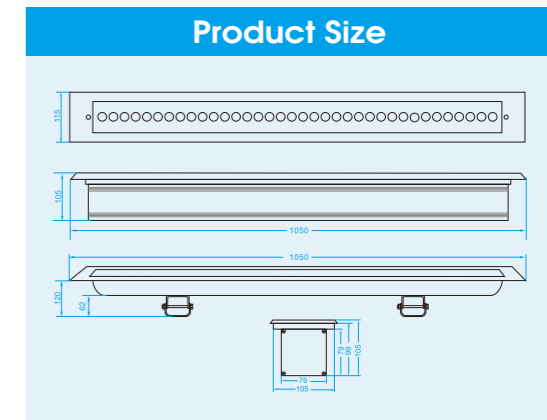


Specification

Model No.:	RS-UG24X-L(88340)
Front cover & Housing:	304Stainless steel+Aluminum alloy installation box
Dimensions:	L830*W115*H105mm
Tempered Glass:	8mm thickness
LED chip:	Epistar
LED Q'ty:	24pcs 1W LED
Cable gland:	Nickel plated brass PG9
Driver:	Constant current driver
Lens:	Clear, Bead, Frosted
Beam Angle Options:	10° 30° 45° 60° 90°
Power Cable:	2*1.0mm ² / 3*0.75mm ² / 4*0.75mm ² / 2*1.0+3*0.5mm ² VDE rubber cable
Protection Class:	IP68
Environment:	Dry / Submerged
Mounting Hardware:	Embedded System
Net Weight:	7.8kgs with 1m cable
Lifetime:	>50000H

Order information

Item code	Color	Light source(w)	Line Way	Input Voltage (v)	Operating current (mA)	Consumption (w)	Luminous flux (lm)
88340.241.01	2700-3000K	24*1	V+/V- or L/N/G	DC24, AC90-230	1000 / 109-218	24	2160
88340.241.02	4000-4500K	24*1	V+/V- or L/N/G	DC24, AC90-230	1000 / 109-218	24	2280
88340.241.03	5000-5500K	24*1	V+/V- or L/N/G	DC24, AC90-230	1000 / 109-218	24	2400
88340.241.04	6000-6500K	24*1	V+/V- or L/N/G	DC24, AC90-230	1000 / 109-218	24	2400
88340.241.05	Red	24*1	V+/V- or L/N/G	DC24, AC90-230	1000 / 109-218	24	600
88340.241.06	Green	24*1	V+/V- or L/N/G	DC24, AC90-230	1000 / 109-218	24	1440
88340.241.07	Blue	24*1	V+/V- or L/N/G	DC24, AC90-230	1000 / 109-218	24	720
88340.241.08	Yellow	24*1	V+/V- or L/N/G	DC24, AC90-230	1000 / 109-218	24	1680
88340.241.09	RGB-DMX512 (3 channel)	24*1	V+/V- /D+/D-/GND	DC24	R: 333 G: 333 B: 333	R: 8 G: 8 B: 8	R: 200 G: 480 B: 240
88340.241.10	Auto changing color	24*1	V+/V-	AC24	R: 333 G: 333 B: 333	R: 8 G: 8 B: 8	R: 200 G: 480 B: 240
88340.241.12	RGBV+ (build-in CC driver)	24*1	R/G/B/V+	DC24	R: 333 G: 333 B: 333	R: 8 G: 8 B: 8	R: 200 G: 480 B: 240



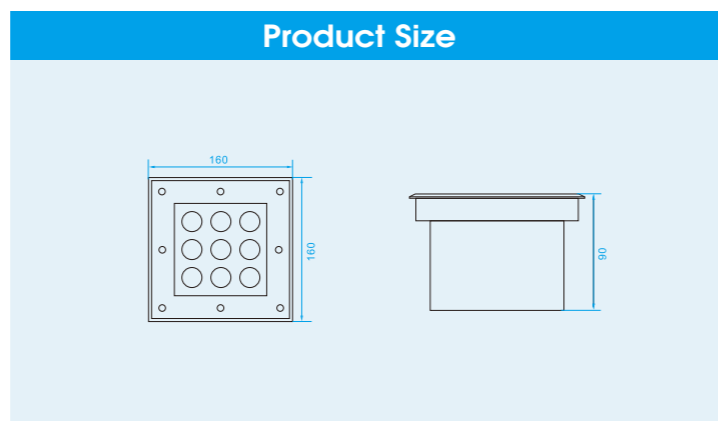
Specification

Model No.:	RS-UG36X-L(88326)
Front cover & Housing:	304Stainless steel+Aluminum alloy installation box
Dimensions:	L1050*W115*H105mm
Tempered Glass:	8mm thickness
LED chip:	Epistar
LED Q'ty:	36pcs 1W LED
Cable gland:	Nickel plated brass PG9
Driver:	Constant current driver
Lens:	Clear, Bead, Frosted
Beam Angle Options:	10° 30° 45° 60° 90°
Power Cable:	2*1.0mm ² / 3*0.75mm ² / 4*0.75mm ² / 2*1.0+3*0.5mm ² VDE rubber cable
Protection Class:	IP68
Environment:	Dry / Submerged
Mounting Hardware:	Embedded System
Net Weight:	9.5kgs with 1m cable
Lifetime:	>50000H

Order information

Item code	Color	Light source(w)	Line Way	Input Voltage (v)	Operating current (mA)	Consumption (w)	Luminous flux (lm)
88326.361.01	2700-3000K	36*1	V+/V- or L/N/G	DC24, AC90-230	1500 / 163-327	36	3240
88326.361.02	4000-4500K	36*1	V+/V- or L/N/G	DC24, AC90-230	1500 / 163-327	36	3420
88326.361.03	5000-5500K	36*1	V+/V- or L/N/G	DC24, AC90-230	1500 / 163-327	36	3600
88326.361.04	6000-6500K	36*1	V+/V- or L/N/G	DC24, AC90-230	1500 / 163-327	36	3600
88326.361.05	Red	36*1	V+/V- or L/N/G	DC24, AC90-230	1500 / 163-327	36	900
88326.361.06	Green	36*1	V+/V- or L/N/G	DC24, AC90-230	1500 / 163-327	36	2160
88326.361.07	Blue	36*1	V+/V- or L/N/G	DC24, AC90-230	1500 / 163-327	36	1080
88326.361.08	Yellow	36*1	V+/V- or L/N/G	DC24, AC90-230	1500 / 163-327	36	2520
88326.361.09	RGB-DMX512 (3 channel)	36*1	V+/V- /D+/D-/GND	DC24	R: 500 G: 500 B: 500	R: 12 G: 12 B: 12	R: 300 G: 720 B: 360
88326.361.10	Auto changing color	36*1	V+/V-	AC24	R: 500 G: 500 B: 500	R: 12 G: 12 B: 12	R: 300 G: 720 B: 360
88326.361.12	RGBV+ (build-in CC driver)	36*1	R/G/B/V+	DC24	R: 500 G: 500 B: 500	R: 12 G: 12 B: 12	R: 300 G: 720 B: 360



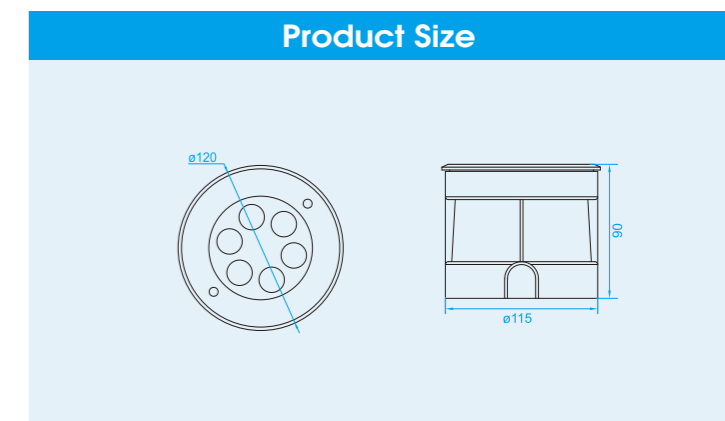


Specification

Model No.:	RS-UG9X-F(88217)
Front cover & Housing:	304 Stainless steel+Aluminum body
Dimensions:	L160*W160*H90mm
Tempered Glass:	8mm thickness
LED chip:	Epistar
LED Q'ty:	9pcs 1W LED
Cable gland:	Nickel plated brass M12
Driver:	Constant current driver
Lens:	Clear, Bead, Frosted
Beam Angle Options:	10° 30° 45° 60° 90°
Power Cable:	2*1.0mm ² / 4*0.75mm ² / 2*1.0+3*0.5mm ² VDE rubber cable
Protection Class:	IP67
Environment:	Dry
Mounting Hardware:	Embedded System
Net Weight:	0.9kgs with 1m cable
Lifetime:	>50000H

Order information

Item code	Color	Light source(w)	Line Way	Input Voltage (v)	Operating current (mA)	Consumption (w)	Luminous flux (lm)
88217.091.01	2700-3000K	9*1	V+/V-	AC/DC12-24	750 / 375	9	810
88217.091.02	4000-4500K	9*1	V+/V-	AC/DC12-24	750 / 375	9	855
88217.091.03	5000-5500K	9*1	V+/V-	AC/DC12-24	750 / 375	9	900
88217.091.04	6000-6500K	9*1	V+/V-	AC/DC12-24	750 / 375	9	900
88217.091.05	Red	9*1	V+/V-	AC/DC12-24	750 / 375	9	225
88217.091.06	Green	9*1	V+/V-	AC/DC12-24	750 / 375	9	540
88217.091.07	Blue	9*1	V+/V-	AC/DC12-24	750 / 375	9	270
88217.091.08	Yellow	9*1	V+/V-	AC/DC12-24	750 / 375	9	630
88217.091.09	RGB-DMX512 (3 channel)	9*1	V+/V- /D+/D-/GND	AC/DC12-24	R: 250 / 125 B: 250 / 125 G: 250 / 125	R: 3 B: 3 G: 3	R: 75 B: 90 G: 180
88217.091.10	Auto changing color	9*1	V+/V-	AC12-24	R: 250 / 125 B: 250 / 125 G: 250 / 125	R: 3 B: 3 G: 3	R: 75 B: 90 G: 180
88217.091.12	RGBV+ (build-in CC driver)	9*1	R/G/B/V+	DC12-24	R: 250 / 125 B: 250 / 125 G: 250 / 125	R: 3 B: 3 G: 3	R: 75 B: 90 G: 180



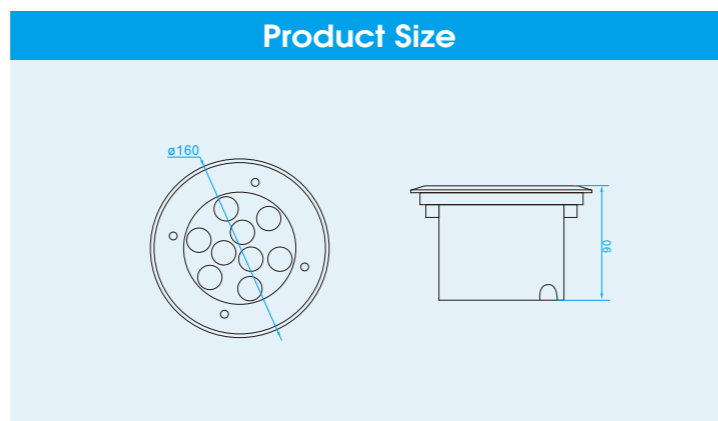
Specification

Model No.:	RS-UG6X(88213)
Front cover & Housing:	304 Stainless steel+Aluminum body
Dimensions:	D120*H90mm
Tempered Glass:	8mm thickness
LED chip:	Epistar
LED Q'ty:	6pcs 1W LED
Cable gland:	Nickel plated brass M12
Driver:	Constant current driver
Lens:	Clear, Bead, Frosted
Beam Angle Options:	10° 30° 45° 60° 90°
Power Cable:	2*1.0mm ² / 4*0.75mm ² / 2*1.0+3*0.5mm ² VDE rubber cable
Protection Class:	IP67
Environment:	Dry
Mounting Hardware:	Embedded System
Net Weight:	1kgs with 1m cable
Lifetime:	>50000H

Order information

Item code	Color	Light source(w)	Line Way	Input Voltage (v)	Operating current (mA)	Consumption (w)	Luminous flux (lm)
88213.061.01	2700-3000K	6*1	V+/V-	AC/DC12-24	500 / 250	6	540
88213.061.02	4000-4500K	6*1	V+/V-	AC/DC12-24	500 / 250	6	570
88213.061.03	5000-5500K	6*1	V+/V-	AC/DC12-24	500 / 250	6	600
88213.061.04	6000-6500K	6*1	V+/V-	AC/DC12-24	500 / 250	6	600
88213.061.05	Red	6*1	V+/V-	AC/DC12-24	500 / 250	6	150
88213.061.06	Green	6*1	V+/V-	AC/DC12-24	500 / 250	6	360
88213.061.07	Blue	6*1	V+/V-	AC/DC12-24	500 / 250	6	180
88213.061.08	Yellow	6*1	V+/V-	AC/DC12-24	500 / 250	6	420
88213.061.09	RGB-DMX512 (3 channel)	6*1	V+/V- /D+/D-/GND	AC/DC12-24	R: 166 / 83 B: 166 / 83 G: 166 / 83	R: 2 B: 2 G: 2	R: 50 B: 60 G: 120
88213.061.10	Auto changing color	6*1	V+/V-	AC12-24	R: 166 / 83 B: 166 / 83 G: 166 / 83	R: 2 B: 2 G: 2	R: 50 B: 60 G: 120
88213.061.12	RGBV+ (build-in CC driver)	6*1	R/G/B/V+	DC12-24	R: 166 / 83 B: 166 / 83 G: 166 / 83	R: 2 B: 2 G: 2	R: 50 B: 60 G: 120



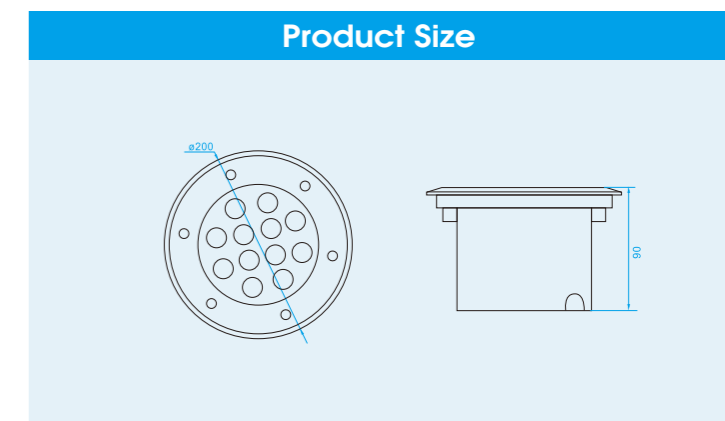


Specification

Model No.:	RS-UG9X(88216)
Front cover & Housing:	304 Stainless steel+Aluminum body
Dimensions:	D160*H90mm
Tempered Glass:	8mm thickness
LED chip:	Epistar
LED Q'ty:	9pcs 1W LED
Cable gland:	Nickel plated brass M12
Driver:	Constant current driver
Lens:	Clear, Bead, Frosted
Beam Angle Options:	10° 30° 45° 60° 90°
Power Cable:	2*1.0mm ² / 4*0.75mm ² / 2*1.0+3*0.5mm ² VDE rubber cable
Protection Class:	IP67
Environment:	Dry
Mounting Hardware:	Embedded System
Net Weight:	1.2kgs with 1m cable
Lifetime:	>50000H

Order information

Item code	Color	Light source(w)	Line Way	Input Voltage (v)	Operating current (mA)	Consumption (w)	Luminous flux (lm)
88216.091.01	2700-3000K	9*1	V+/V-	AC/DC12-24	750 / 375	9	810
88216.091.02	4000-4500K	9*1	V+/V-	AC/DC12-24	750 / 375	9	855
88216.091.03	5000-5500K	9*1	V+/V-	AC/DC12-24	750 / 375	9	900
88216.091.04	6000-6500K	9*1	V+/V-	AC/DC12-24	750 / 375	9	900
88216.091.05	Red	9*1	V+/V-	AC/DC12-24	750 / 375	9	225
88216.091.06	Green	9*1	V+/V-	AC/DC12-24	750 / 375	9	540
88216.091.07	Blue	9*1	V+/V-	AC/DC12-24	750 / 375	9	270
88216.091.08	Yellow	9*1	V+/V-	AC/DC12-24	750 / 375	9	630
88216.091.09	RGB-DMX512 (3 channel)	9*1	V+/V- /D+/D-/GND	AC/DC12-24	R: 250 / 125 B: 250 / 125 G: 250 / 125	R: 3 B: 3 G: 3	R: 75 B: 90 G: 180
88216.091.10	Auto changing color	9*1	V+/V-	AC12-24	R: 250 / 125 B: 250 / 125 G: 250 / 125	R: 3 B: 3 G: 3	R: 75 B: 90 G: 180
88216.091.12	RGBV+ (build-in CC driver)	9*1	R/G/B/V+	DC12-24	R: 250 / 125 B: 250 / 125 G: 250 / 125	R: 3 B: 3 G: 3	R: 75 B: 90 G: 180



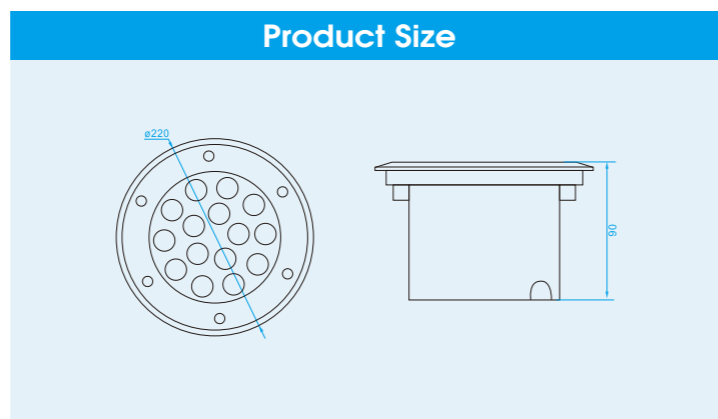
Specification

Model No.:	RS-UG12X(88218)
Front cover & Housing:	304 Stainless steel+Aluminum body
Dimensions:	D200*H90mm
Tempered Glass:	8mm thickness
LED chip:	Epistar
LED Q'ty:	12pcs 1W LED
Cable gland:	Nickel plated brass M12
Driver:	Constant current driver
Lens:	Clear, Bead, Frosted
Beam Angle Options:	10° 30° 45° 60° 90°
Power Cable:	2*1.0mm ² / 4*0.75mm ² / 2*1.0+3*0.5mm ² VDE rubber cable
Protection Class:	IP67
Environment:	Dry
Mounting Hardware:	Embedded System
Net Weight:	1.5kgs with 1m cable
Lifetime:	>50000H

Order information

Item code	Color	Light source(w)	Line Way	Input Voltage (v)	Operating current (mA)	Consumption (w)	Luminous flux (lm)
88218.121.01	2700-3000K	12*1	V+/V-	AC/DC12-24	1000 / 500	12	1080
88218.121.02	4000-4500K	12*1	V+/V-	AC/DC12-24	1000 / 500	12	1140
88218.121.03	5000-5500K	12*1	V+/V-	AC/DC12-24	1000 / 500	12	1200
88218.121.04	6000-6500K	12*1	V+/V-	AC/DC12-24	1000 / 500	12	1200
88218.121.05	Red	12*1	V+/V-	AC/DC12-24	1000 / 500	12	300
88218.121.06	Green	12*1	V+/V-	AC/DC12-24	1000 / 500	12	720
88218.121.07	Blue	12*1	V+/V-	AC/DC12-24	1000 / 500	12	360
88218.121.08	Yellow	12*1	V+/V-	AC/DC12-24	1000 / 500	12	840
88218.121.09	RGB-DMX512 (3 channel)	12*1	V+/V- /D+/D-/GND	AC/DC12-24	R: 333 / 166 B: 333 / 166 G: 333 / 166	R: 4 B: 4 G: 4	R: 100 B: 120 G: 240
88218.121.10	Auto changing color	12*1	V+/V-	AC12-24	R: 333 / 166 B: 333 / 166 G: 333 / 166	R: 4 B: 4 G: 4	R: 100 B: 120 G: 240
88218.121.12	RGBV+ (build-in CC driver)	12*1	R/G/B/V+	DC12-24	R: 333 / 166 B: 333 / 166 G: 333 / 166	R: 4 B: 4 G: 4	R: 100 B: 120 G: 240



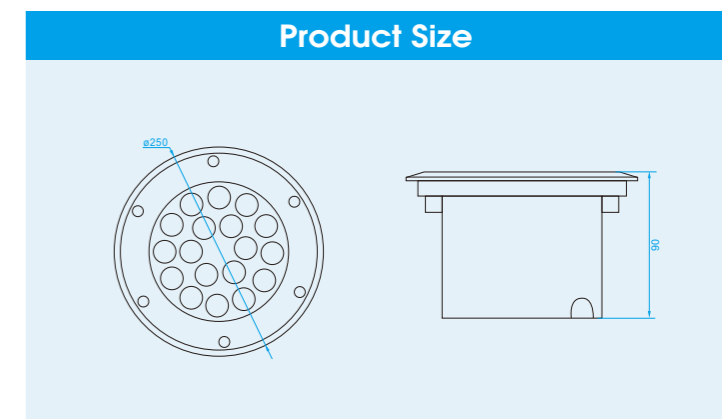


Specification

Model No.:	RS-UG15X(88219)
Front cover & Housing:	304 Stainless steel+Aluminum body
Dimensions:	D220*H90mm
Tempered Glass:	8mm thickness
LED chip:	Epistar
LED Q'ty:	15pcs 1W LED
Cable gland:	Nickel plated brass M12
Driver:	Constant current driver
Lens:	Clear, Bead, Frosted
Beam Angle Options:	10° 30° 45° 60° 90°
Power Cable:	2*1.0mm ² / 4*0.75mm ² / 2*1.0+3*0.5mm ² VDE rubber cable
Protection Class:	IP67
Environment:	Dry
Mounting Hardware:	Embedded System
Net Weight:	2.3kgs with 1m cable
Lifetime:	>50000H

Order information

Item code	Color	Light source(w)	Line Way	Input Voltage (v)	Operating current (mA)	Consumption (w)	Luminous flux (lm)
88219.151.01	2700-3000K	15*1	V+/V-	DC24	625	15	1350
88219.151.02	4000-4500K	15*1	V+/V-	DC24	625	15	1425
88219.151.03	5000-5500K	15*1	V+/V-	DC24	625	15	1500
88219.151.04	6000-6500K	15*1	V+/V-	DC24	625	15	1500
88219.151.05	Red	15*1	V+/V-	DC24	625	15	375
88219.151.06	Green	15*1	V+/V-	DC24	625	15	900
88219.151.07	Blue	15*1	V+/V-	DC24	625	15	450
88219.151.08	Yellow	15*1	V+/V-	DC24	625	15	1350
88219.151.09	RGB-DMX512 (3 channel)	15*1	V+/V-/D+/D-/GND	DC24	R: 208 G: 208 B: 208	R: 5 G: 5 B: 5	R: 125 G: 300 B: 150
88219.151.10	Auto changing color	15*1	V+/V-	AC24	R: 208 G: 208 B: 208	R: 5 G: 5 B: 5	R: 125 G: 300 B: 150
88219.151.12	RGBV+ (build-in CC driver)	15*1	R/G/B/V+	DC24	R: 208 G: 208 B: 208	R: 5 G: 5 B: 5	R: 125 G: 300 B: 150



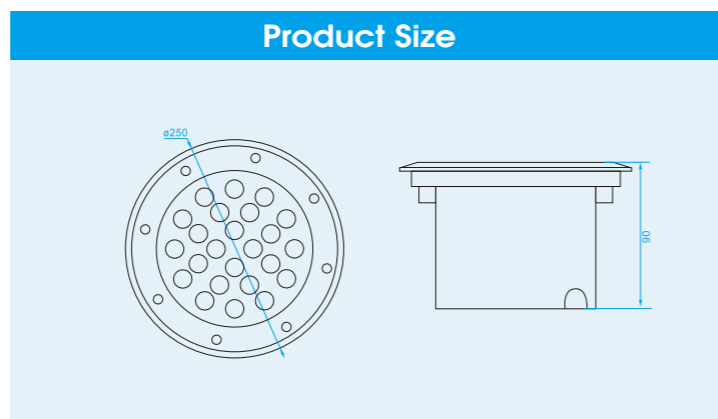
Specification

Model No.:	RS-UG18X(88220)
Front cover & Housing:	304 Stainless steel+Aluminum body
Dimensions:	D250*H90mm
Tempered Glass:	8mm thickness
LED chip:	Epistar
LED Q'ty:	18pcs 1W LED
Cable gland:	Nickel plated brass PG9
Driver:	Constant current driver
Lens:	Clear, Bead, Frosted
Beam Angle Options:	10° 30° 45° 60° 90°
Power Cable:	2*1.0mm ² / 4*0.75mm ² / 2*1.0+3*0.5mm ² VDE rubber cable
Protection Class:	IP67
Environment:	Dry
Mounting Hardware:	Embedded System
Net Weight:	3kgs with 1m cable
Lifetime:	>50000H

Order information

Item code	Color	Light source(w)	Line Way	Input Voltage (v)	Operating current (mA)	Consumption (w)	Luminous flux (lm)
88220.181.01	2700-3000K	18*1	V+/V-	DC24	750	18	1620
88220.181.02	4000-4500K	18*1	V+/V-	DC24	750	18	1710
88220.181.03	5000-5500K	18*1	V+/V-	DC24	750	18	1800
88220.181.04	6000-6500K	18*1	V+/V-	DC24	750	18	1800
88220.181.05	Red	18*1	V+/V-	DC24	750	18	450
88220.181.06	Green	18*1	V+/V-	DC24	750	18	1080
88220.181.07	Blue	18*1	V+/V-	DC24	750	18	540
88220.181.08	Yellow	18*1	V+/V-	DC24	750	18	1260
88220.181.09	RGB-DMX512 (3 channel)	18*1	V+/V-/D+/D-/GND	DC24	R: 250 G: 250 B: 250	R: 6 G: 6 B: 6	R: 150 G: 360 B: 180
88220.181.10	Auto changing color	18*1	V+/V-	AC24	R: 250 G: 250 B: 250	R: 6 G: 6 B: 6	R: 150 G: 360 B: 180
88220.181.12	RGBV+ (build-in CC driver)	18*1	R/G/B/V+	DC24	R: 250 G: 250 B: 250	R: 6 G: 6 B: 6	R: 150 G: 360 B: 180



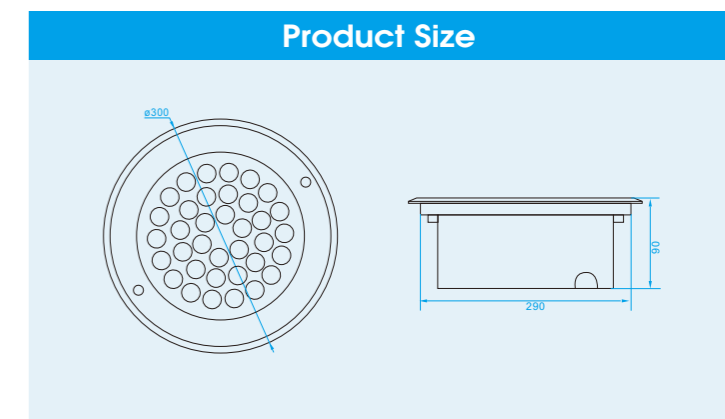


Specification

Model No.:	RS-UG24X(88220)
Front cover & Housing:	304 Stainless steel+Aluminum body
Dimensions:	D250*H90mm
Tempered Glass:	8mm thickness
LED chip:	Epistar
LED Q'ty:	24pcs 1W LED
Cable gland:	Nickel plated brass PG9
Driver:	Constant current driver
Lens:	Clear, Bead, Frosted
Beam Angle Options:	10° 30° 45° 60° 90°
Power Cable:	2*1.0mm ² / 4*0.75mm ² / 2*1.0+3*0.5mm ² VDE rubber cable
Protection Class:	IP67
Environment:	Dry
Mounting Hardware:	Embedded System
Net Weight:	3kgs with 1m cable
Lifetime:	>50000H

Order information

Item code	Color	Light source(w)	Line Way	Input Voltage (v)	Operating current (mA)	Consumption (w)	Luminous flux (lm)
88220.241.01	2700-3000K	24*1	V+/V-	DC24	1000	24	2160
88220.241.02	4000-4500K	24*1	V+/V-	DC24	1000	24	2280
88220.241.03	5000-5500K	24*1	V+/V-	DC24	1000	24	2400
88220.241.04	6000-6500K	24*1	V+/V-	DC24	1000	24	2400
88220.241.05	Red	24*1	V+/V-	DC24	1000	24	600
88220.241.06	Green	24*1	V+/V-	DC24	1000	24	1440
88220.241.07	Blue	24*1	V+/V-	DC24	1000	24	720
88220.241.08	Yellow	24*1	V+/V-	DC24	1000	24	1680
88220.241.09	RGB-DMX512 (3 channel)	24*1	V+/V-/D+/D-/GND	DC24	R: 333 B: 333 G: 333	R: 8 B: 8 G: 8	R: 200 B: 240 G: 480
88220.241.10	Auto changing color	24*1	V+/V-	AC24	R: 333 B: 333 G: 333	R: 8 B: 8 G: 8	R: 200 B: 240 G: 480
88220.241.12	RGBV+ (build-in CC driver)	24*1	R/G/B/V+	DC24	R: 333 B: 333 G: 333	R: 8 B: 8 G: 8	R: 200 B: 240 G: 480



Specification

Model No.:	RS-UG36X(88221)
Front cover & Housing:	304 Stainless steel+Aluminum body
Dimensions:	D300*H90mm
Tempered Glass:	8mm thickness
LED chip:	Epistar
LED Q'ty:	36pcs 1W LED
Cable gland:	Nickel plated brass M12
Driver:	Constant current driver
Lens:	Clear, Bead, Frosted
Beam Angle Options:	10° 30° 45° 60° 90°
Power Cable:	2*1.0mm ² / 4*0.75mm ² / 2*1.0+3*0.5mm ² VDE rubber cable
Protection Class:	IP67
Environment:	Dry
Mounting Hardware:	Embedded System
Net Weight:	3.5kgs with 1m cable
Lifetime:	>50000H

Order information

Item code	Color	Light source(w)	Line Way	Input Voltage (v)	Operating current (mA)	Consumption (w)	Luminous flux (lm)
88221.361.01	2700-3000K	36*1	V+/V-	DC24	1500	36	3240
88221.361.02	4000-4500K	36*1	V+/V-	DC24	1500	36	3420
88221.361.03	5000-5500K	36*1	V+/V-	DC24	1500	36	3600
88221.361.04	6000-6500K	36*1	V+/V-	DC24	1500	36	3600
88221.361.05	Red	36*1	V+/V-	DC24	1500	36	900
88221.361.06	Green	36*1	V+/V-	DC24	1500	36	2160
88221.361.07	Blue	36*1	V+/V-	DC24	1500	36	1080
88221.361.08	Yellow	36*1	V+/V-	DC24	1500	36	2520
88221.361.09	RGB-DMX512 (3 channel)	36*1	V+/V-/D+/D-/GND	DC24	R: 500 B: 500 G: 500	R: 12 B: 12 G: 12	R: 300 B: 360 G: 720
88221.361.10	Auto changing color	36*1	V+/V-	AC24	R: 500 B: 500 G: 500	R: 12 B: 12 G: 12	R: 300 B: 360 G: 720
88221.361.12	RGBV+ (build-in CC driver)	36*1	R/G/B/V+	DC24	R: 500 B: 500 G: 500	R: 12 B: 12 G: 12	R: 300 B: 360 G: 720

